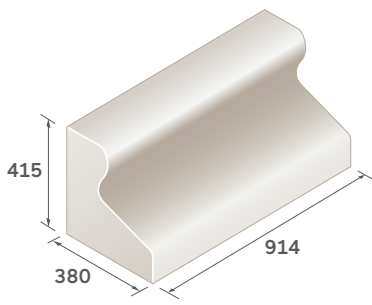
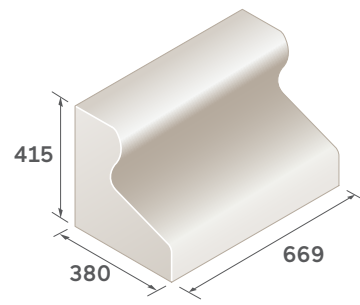


Specialist Kerbs

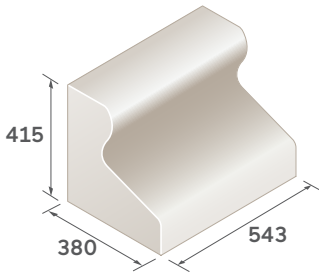
Trief® GST2A Kerb System



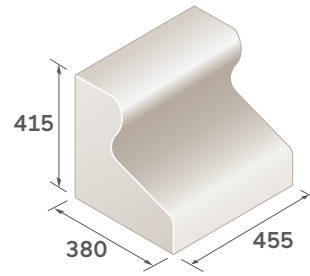
Standard Kerb 914mm



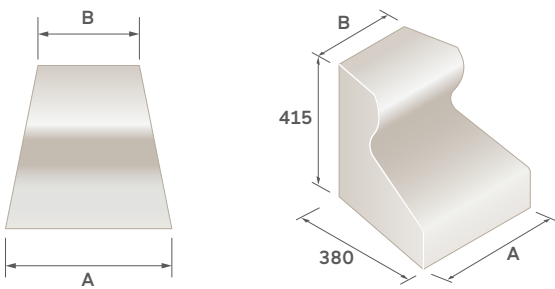
Short Lengths 669mm



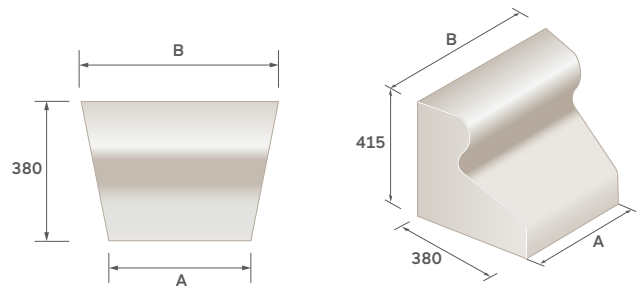
Short Lengths 543mm



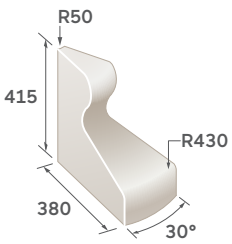
Half Kerb 455mm



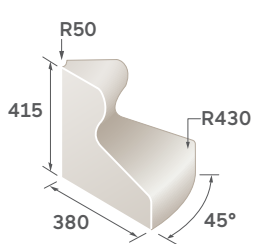
External radii



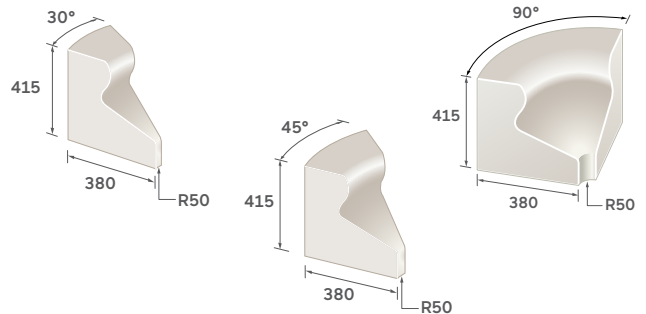
Internal radii



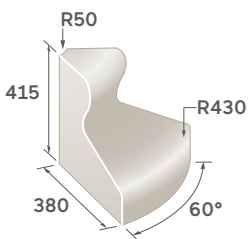
External quadrant 30°



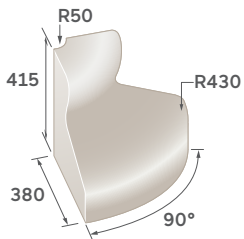
External quadrant 45°



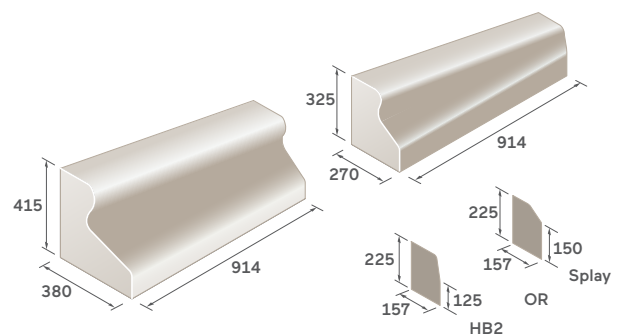
Internal quadrants



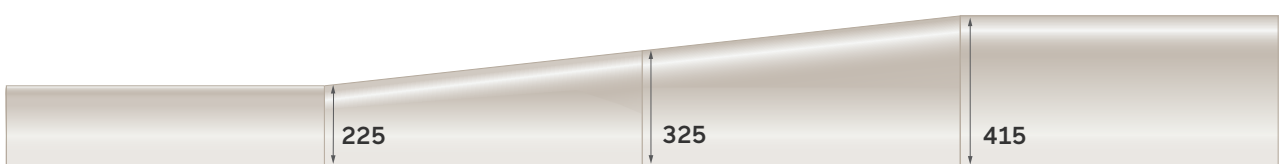
External quadrant 60°



External quadrant 90°



Left hand tapers



Roadside kerb

Small taper unit

Large taper unit

Front elevation - right hand taper