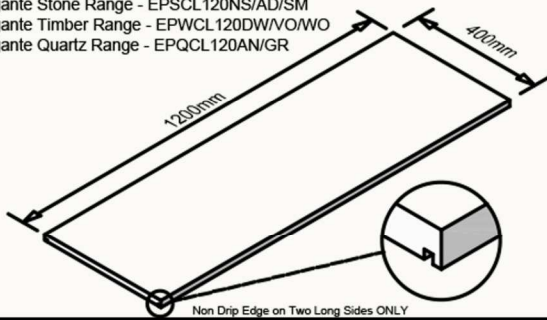


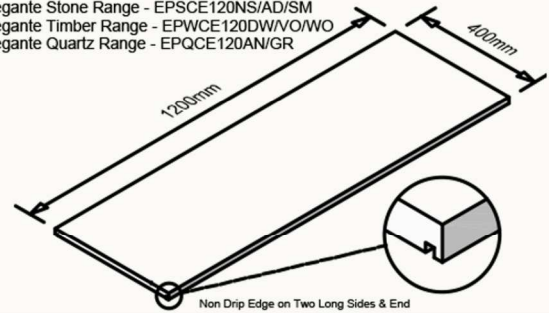
Standard Coping Unit 1200x400x20mm

Available in :-
 Elegante Stone Range - EPSCL120NS/AD/SM
 Elegante Timber Range - EPWCL120DW/VO/WO
 Elegante Quartz Range - EPQCL120AN/GR



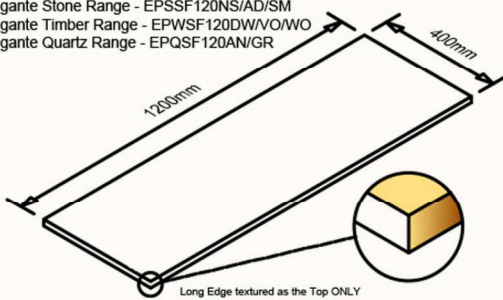
End Coping Unit 1200x400x20mm

Available in :-
 Elegante Stone Range - EPSCE120NS/AD/SM
 Elegante Timber Range - EPWCE120DW/VO/WO
 Elegante Quartz Range - EPQCE120AN/GR



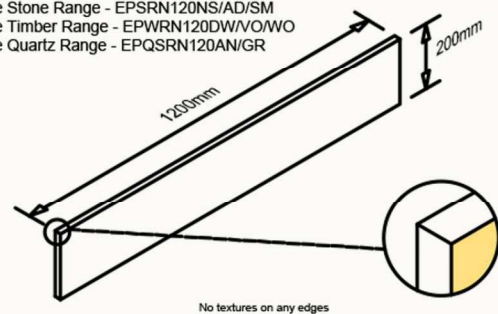
Standard Step Tread Unit 1200x400x20mm

Available in :-
 Elegante Stone Range - EPSSF120NS/AD/SM
 Elegante Timber Range - EPWSF120DW/VO/WO
 Elegante Quartz Range - EPQSF120AN/GR



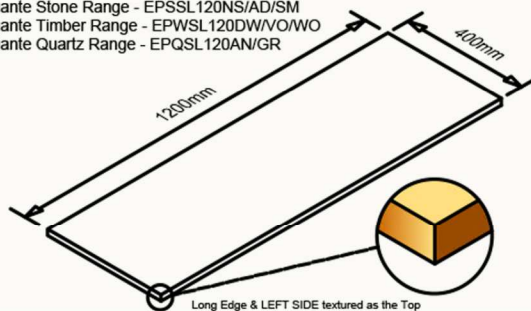
Standard Step Riser Unit 1200x200x20mm

Available in :-
 Elegante Stone Range - EPSRN120NS/AD/SM
 Elegante Timber Range - EPWRN120DW/VO/WO
 Elegante Quartz Range - EPQSRN120AN/GR



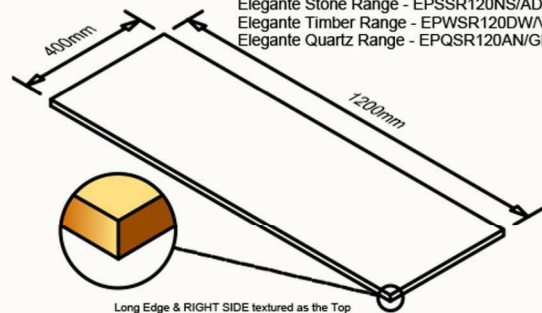
Left Hand Step Tread Unit 1200x400x20mm

Available in :-
 Elegante Stone Range - EPSSL120NS/AD/SM
 Elegante Timber Range - EPWSL120DW/VO/WO
 Elegante Quartz Range - EPQSL120AN/GR



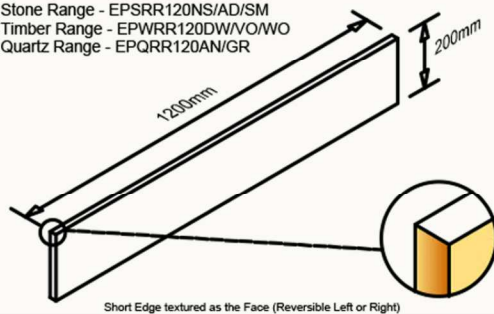
Right Hand Step Tread Unit 1200x400x20mm

Available in :-
 Elegante Stone Range - EPSSR120NS/AD/SM
 Elegante Timber Range - EPWSR120DW/VO/WO
 Elegante Quartz Range - EPQSR120AN/GR



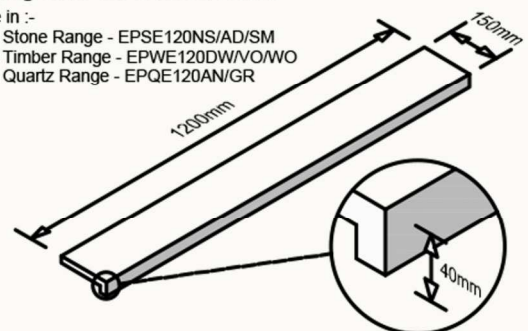
End Step Riser Unit 1200x200x20mm

Available in :-
 Elegante Stone Range - EPSRR120NS/AD/SM
 Elegante Timber Range - EPWRR120DW/VO/WO
 Elegante Quartz Range - EPQRR120AN/GR



'L' Edging Unit 1200x150x40mm

Available in :-
 Elegante Stone Range - EPSE120NS/AD/SM
 Elegante Timber Range - EPWE120DW/VO/WO
 Elegante Quartz Range - EPQE120AN/GR



'L' Kerb Unit 600x150x200mm

Available in :-
 Elegante Stone Range - EPSK60NS/AD/SM
 Elegante Timber Range - EPWK60DW/VO/WO
 Elegante Quartz Range - EPQK60AN/GR

